

Xylem Workshop



Xylem General Supplier Requirements

2. General Supplier Requirements

2.1 Language

English is Xylem's preferred language. Subject to Xylem's approval, local languages may be permitted in some cases.

2.2 Quality Management System Requirements

The Supplier shall maintain a documented quality system to ensure control and conformance with Xylem's quality requirements and its customers' requirements. Xylem expects its Suppliers to have effectively implemented a quality management system in compliance with the ISO9001:2015 standard, or an equivalent standard.

2.3 Restricted Substances and Product Safety

All materials supplied shall satisfy applicable governmental and Xylem constraints on toxic or otherwise restricted materials, along with environmental, electrical and electromagnetic considerations. The Supplier shall implement and maintain a process to ensure that purchased products and relevant manufacturing processes comply with any toxic or otherwise restricted substance requirements.

2.4 Customs and Export Control

The Supplier shall notify Xylem about any items (e.g., goods, software, technology) supplied to Xylem that are subject to export controls under any laws of the United States of America, the European Union or its member countries, or any other countries. This includes goods derived from controlled technology, or software co-mingled with controlled software. The Supplier will provide country of origin information or certification in a manner that meets import requirements at destination. The Supplier will also provide documentation requirements for Xylem, including but not limited to: issuing certificates of origin, origin determination, and preferential origin calculation, etc.

2.5 Conflict Minerals

Suppliers must fully comply with the Xylem Conflict Minerals Policy. The Xylem Conflict Minerals Policy is accessible on the Xylem webpage <https://www.xylem.com/en-us/about-xylem/conflict-minerals-policy-statement/>

2.6 Environment, Health & Safety

The Supplier shall comply with all applicable environment, health and safety-related regulations.

Xylem expects that its Suppliers are actively engaged in environmental concerns. Evidence of this commitment may include the establishment and adherence to an environmental management system such as the latest ISO 14001 standard or an equivalent standard.

Xylem expects that its Suppliers have a system for managing health, safety and promoting safe work environments by providing a framework that allows the organization to consistently identify and control risks related to health and safety, reduce potential accidents, support policy enforcement and improve overall performance. Compliance with the OHSAS 18001 standard is preferred.

2.7 Control of Sub-Suppliers

The Supplier is responsible for ensuring this Xylem Supplier Quality Manual, applicable procedures and product/service documentation and subsequent changes are provided to Sub-Suppliers. If a Supplier chooses to subcontract or outsource a process, the Supplier shall inform Xylem of any such outsourcing or subcontracting arrangement. The Supplier is fully responsible for the qualification and surveillance of all Sub-Suppliers with respect to Xylem's requirements and Supplier's obligations.

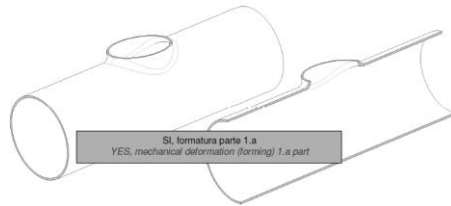
- <https://www.xylem.com/en-us/support/xylem-standard-terms-and-conditions-of-purchase/>
- <https://www.xylem.com/en-us/about-xylem/supplier-code-of-conduct/>
- <https://www.xylem.com/en-us/support/xylem-supplier-quality-manual/>

Product Categories

- **Fabrication;**
 - Vessels
 - Assb. parts
 - Welded Components
 - Formed Metal (Stamping, Deep Drawn, Base Frames)
 - Manifolds
 - Canopies & Fuel Tank
- **Machining;**
 - Shafts
 - Turned parts
 - Gear & Gear shafts
- **Polymeric**
 - Plastic Injection
 - Rubber & Rubber Coating
- **Casting**
 - Aluminum
 - Sand cast
 - Die Cast
 - Stainless Steel
 - IRON

Fabrication

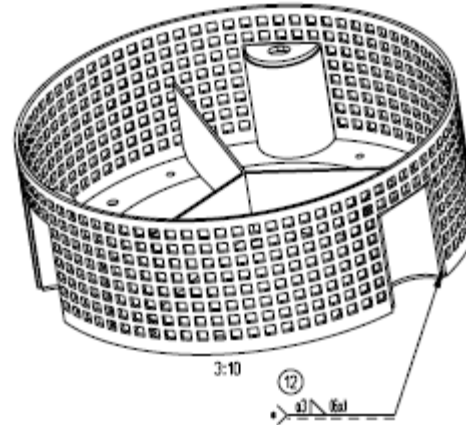
Manifolds



Process : Forming, Welding
 Annual Volume : 10pcs to 300 pcs
 Material : Stainless Steel

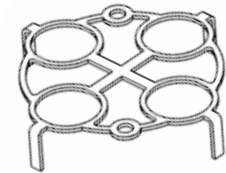
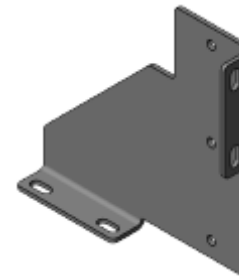
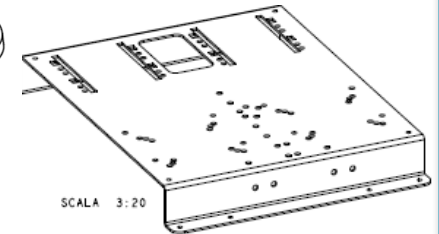
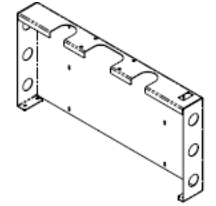
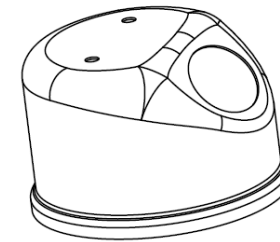
STRAINER

Variant 00 and 01



Process : Forming, Punching, Welding
 Annual Volume : 50pcs to 1335pcs
 Material : Stainless Steel
 Structural Steel

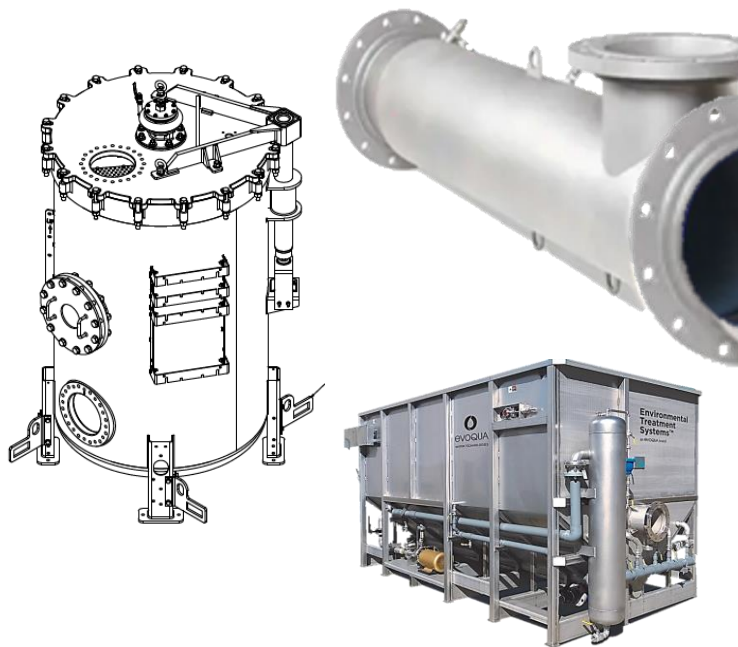
Formed Parts



Process : Forming, Bending, Laser Cut
 Annual Volume : 10pcs to 16.000pcs
 Material : Stainless Steel
 Carbon Steel

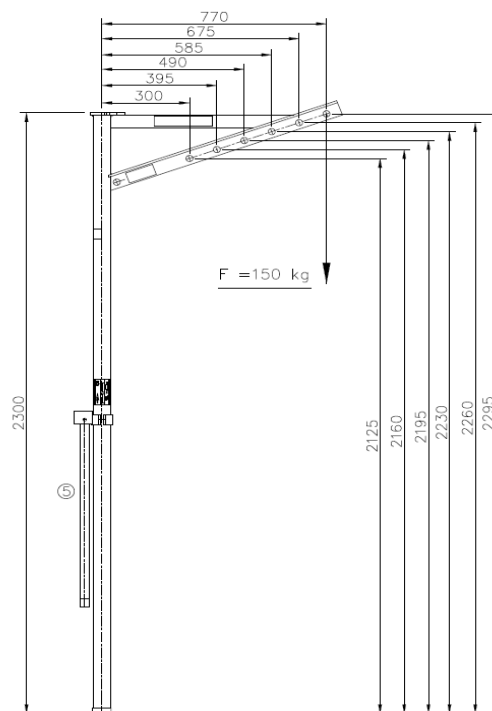
Fabrication

Vessels, Tanks, Filters;



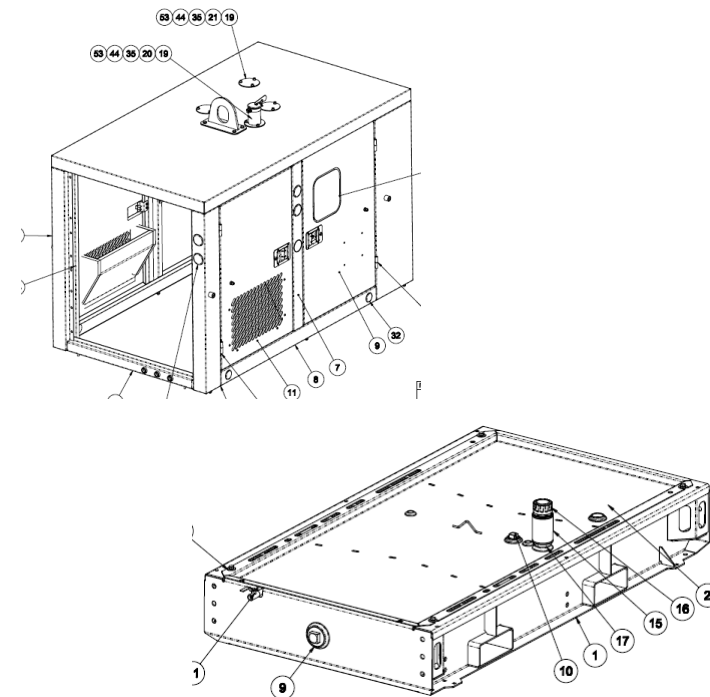
Process	: Forming, Welding, Assb
Annual Volume	: 10pcs to 100pcs
Material	: Stainless Steel Carbon Steel

Profile Assb. /Welded Units;



Process	: Profile Assb.
Annual Volume	: 25pcs to 250pcs
Material	: Stainless Steel

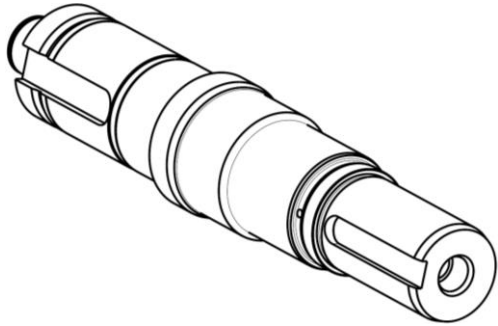
Canopies & Fuel Tank



Process	: Forming, welding
Annual Volume	: tbt
Material	: Carbon Steel

Machining

Shafts



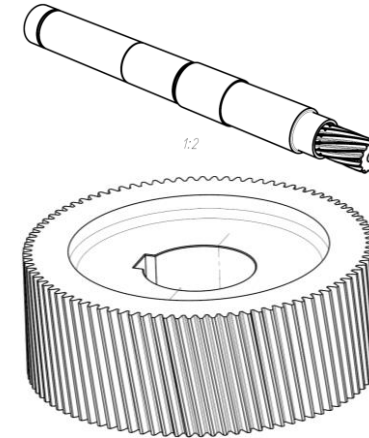
Process : Machining
Annual Volume : 50pcs to 1800pcs
Material : Stainless Steel

Turned Parts



Process : Machining
Annual Volume : 40pcs to 40.000pcs
Material : Stainless Steel
Carbon Steel
Aluminium Bronze

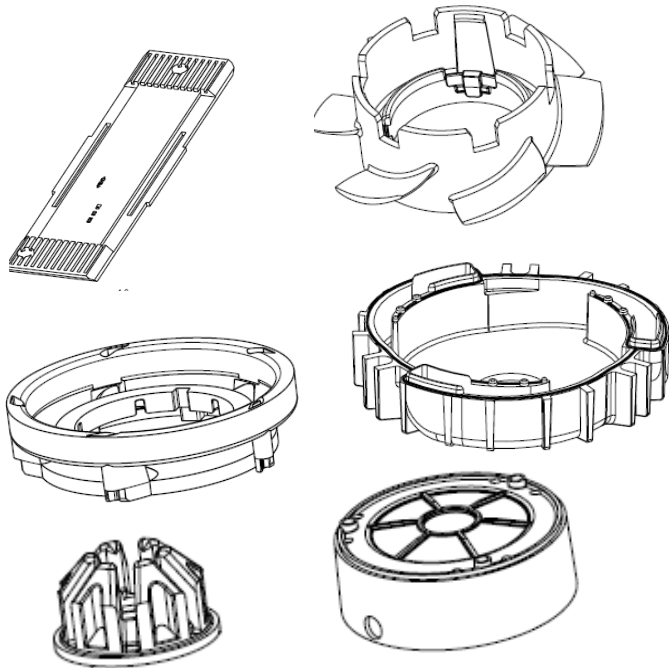
Gear & Gear shafts



Process : Machining + Case Hard.
Annual Volume : 10 to 900pcs
Material : Carbon Steel

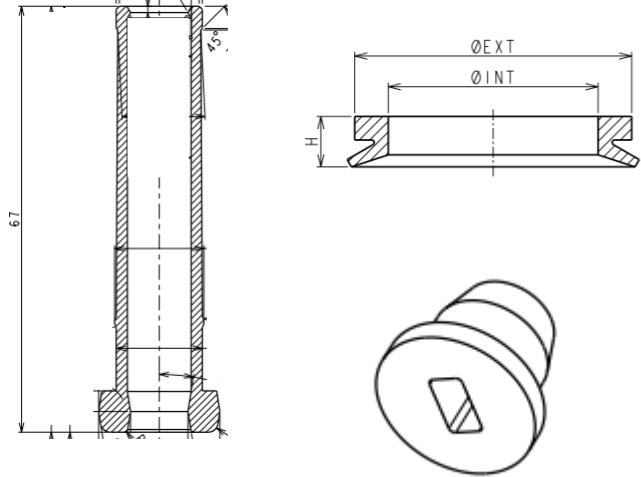
Polymeric

Plastic Injection



Process : Plastic Injection
 Annual Volume : 250pcs to 48.000pcs
 Material : PE,PPS, PA

Rubber (Cable Guide, V-Ring, O-Ring, Drain Plug)



Process :
 Annual Volume : 100pcs to 300.000pcs
 Material : EPDM, FPM, NBR

Rubber Coating



Process : Coating
 Annual Volume : 150pcs to 2500pcs
 Material : Nitrile rubber
 Polyurethane coating

Casting

Material	Prudction Type	Weight (kg)		Volume (pcs)	
		from	to	from	to
Aluminum	Gravity/ Sand casting	2,5	37	40	800
Aluminum	Die casting	0,08	1,792	400	95.000
Stainless casting	Casting Stainless	2	125	8	267
White iron	White cast iron	62	257	5	300
Ductile Iron / Grey Iron		6	2.000	10	500